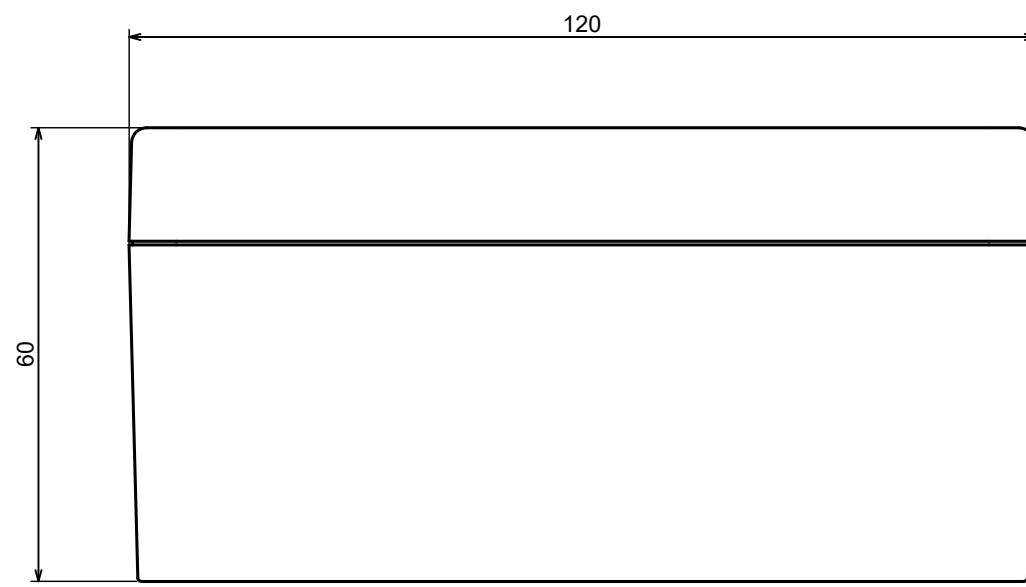
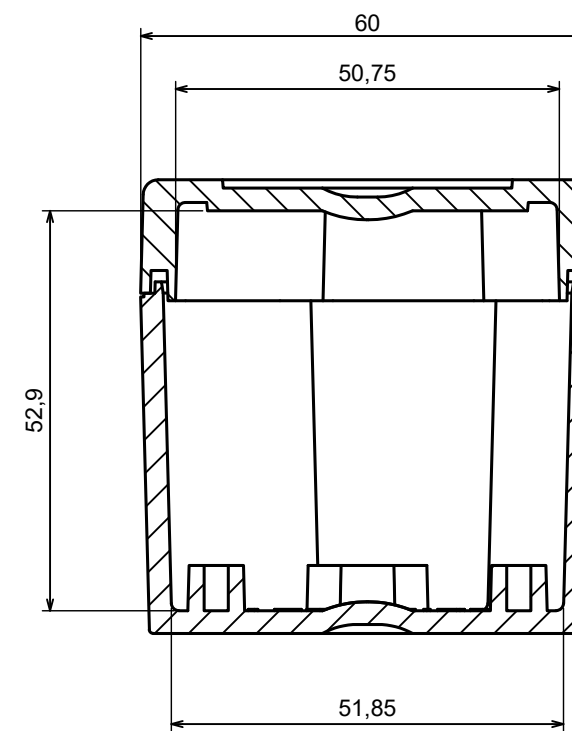


A |



A |

A-A



All rights reserved, Copyright Kradex 2024

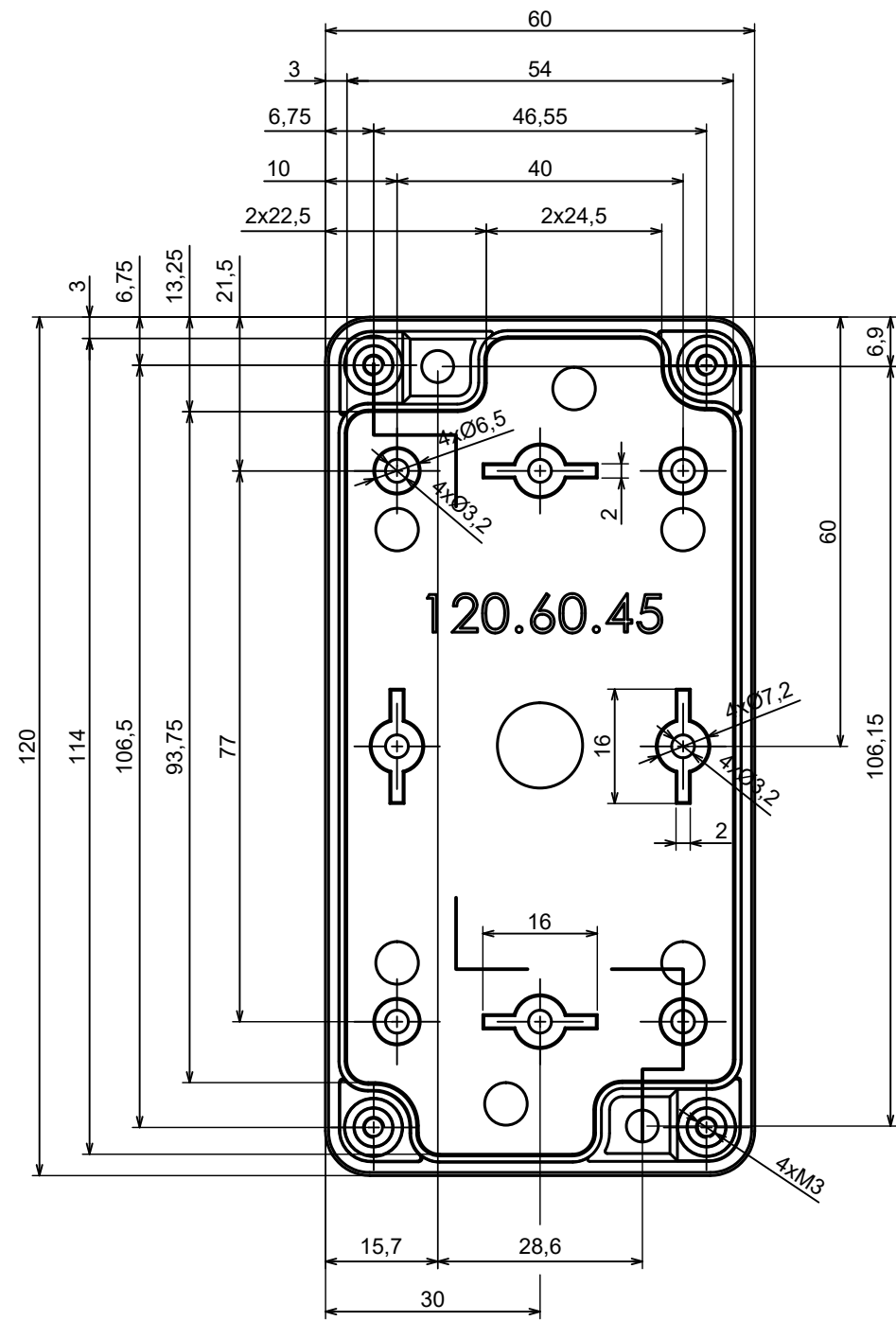
Product model    Enclosure ZP120.60.60 TM - Assembly

Format: A3    Material: PC, ABS

Scale 1:1    Tolerance: +/- 0.5

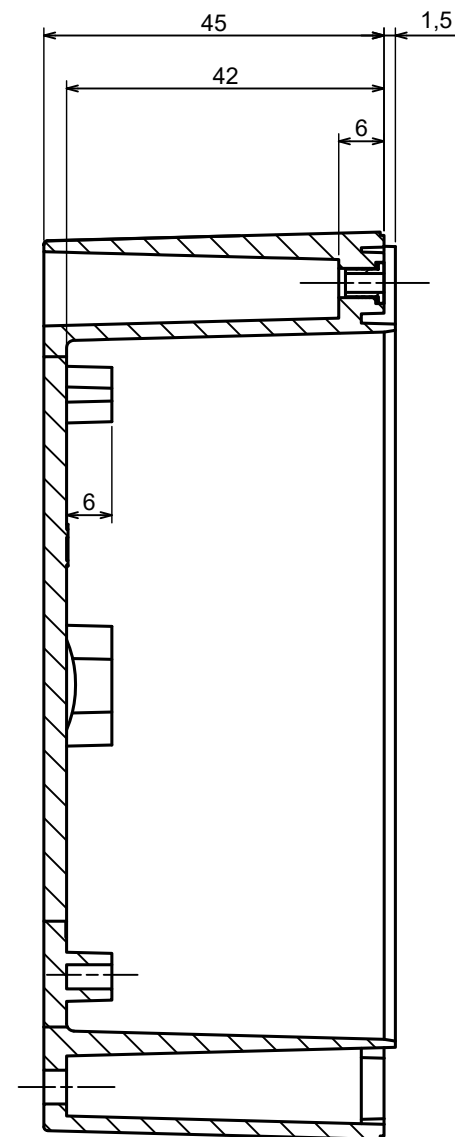


B |



B |

B-B



All rights reserved, Copyright Kradox 2024

Product model

Enclosure ZP120.60.60 TM - Base ZP120.60.45 TM

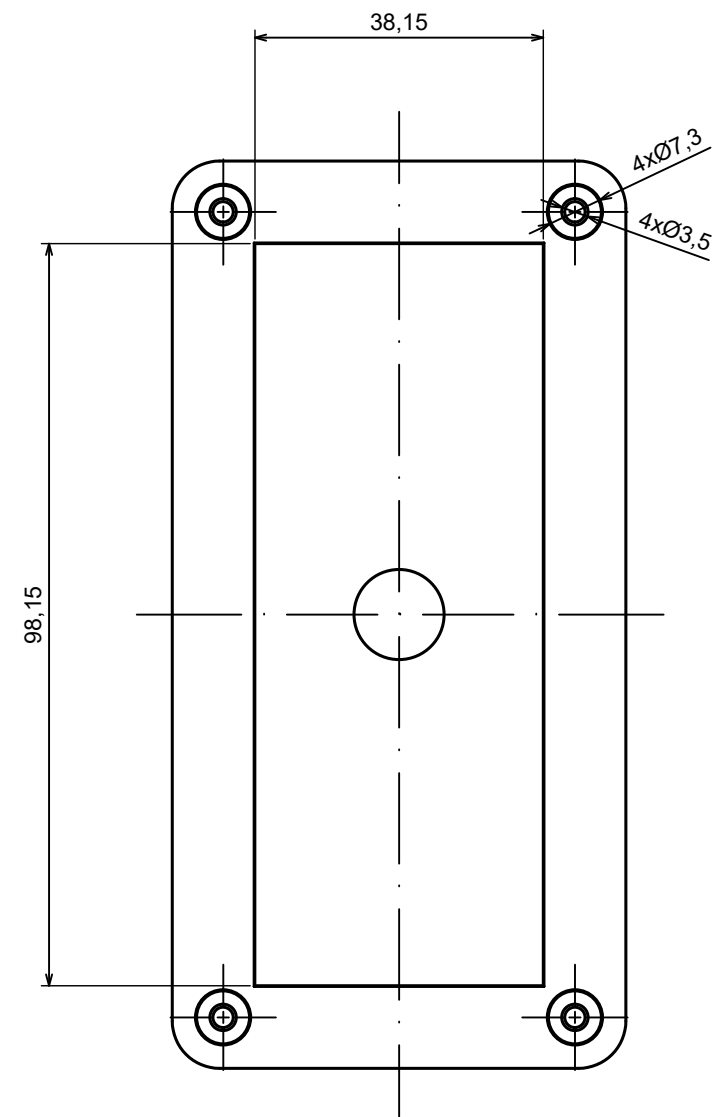
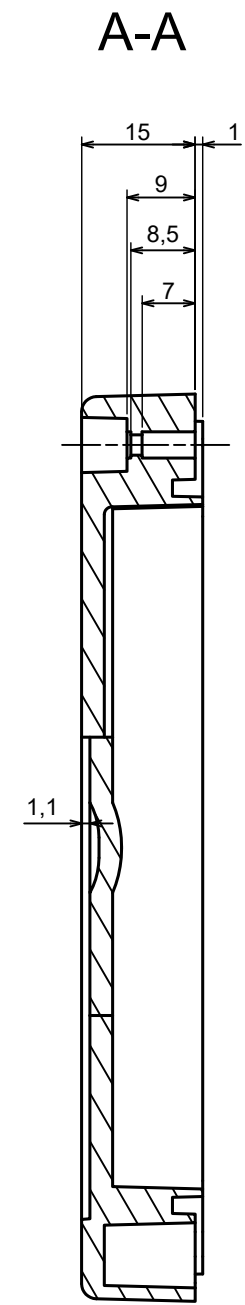
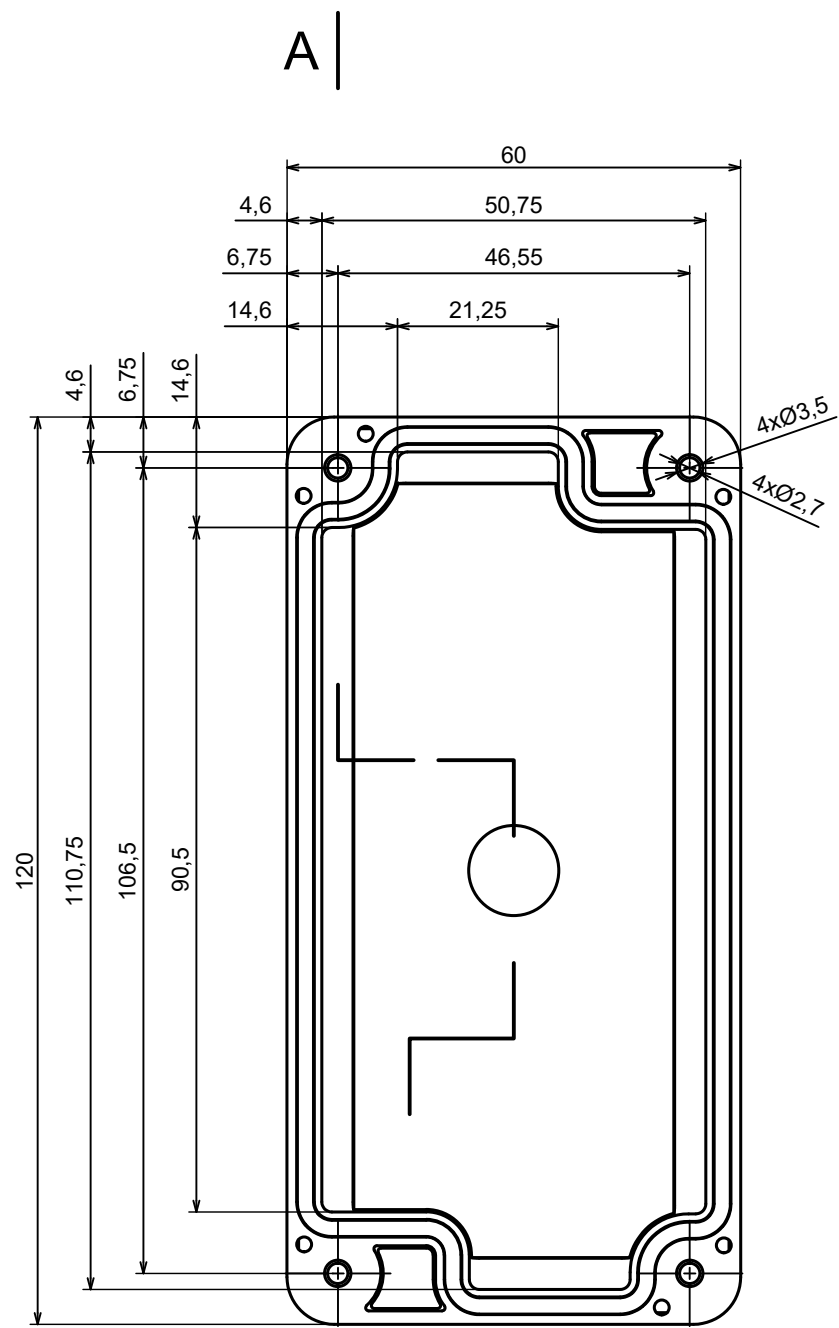
Format: A3

Material: PC, ABS

Scale 1:1

Tolerance: +/- 0.5





A |

All rights reserved, Copyright Kradox 2024

Product model Enclosure ZP120.60.60 TM - Cover ZP120.60.15

Format: A3 Material: PC, ABS

Scale 1:1 Tolerance: +/- 0.5

