

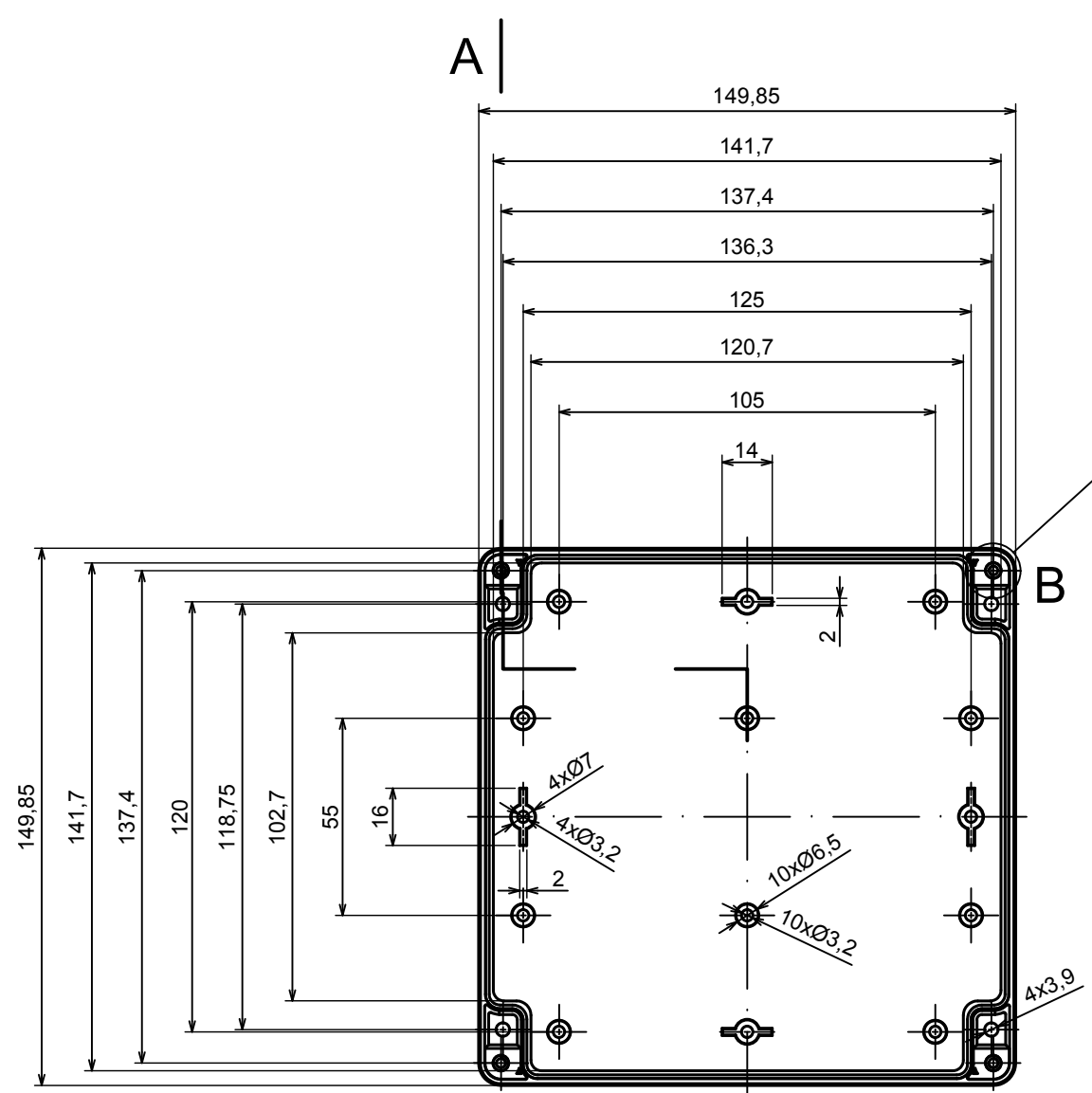
All rights reserved, Copyright Kradox 2018

Product model: Enclosure ZP150.150.60J TM - Assembly

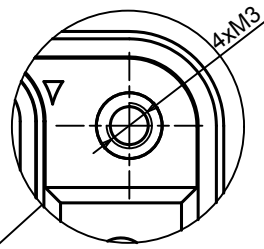
Format: A3      Material: PC, ABS

Scale 1:2      Tolerance: +/- 0.6

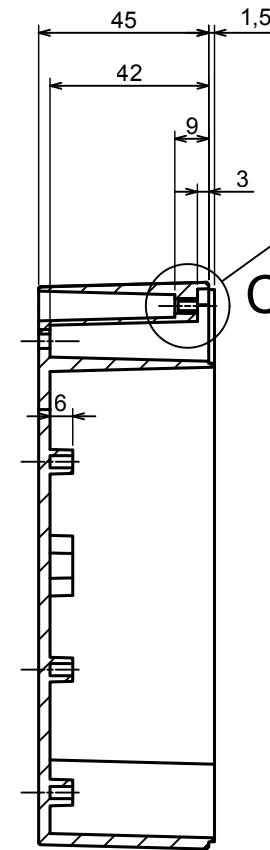




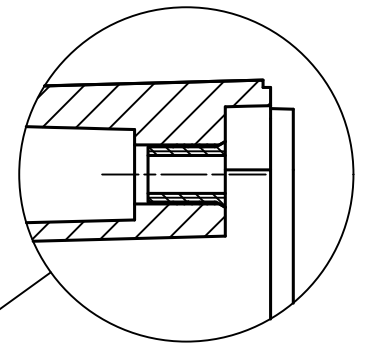
B (2:1)



A-A



C (2:1)



A |

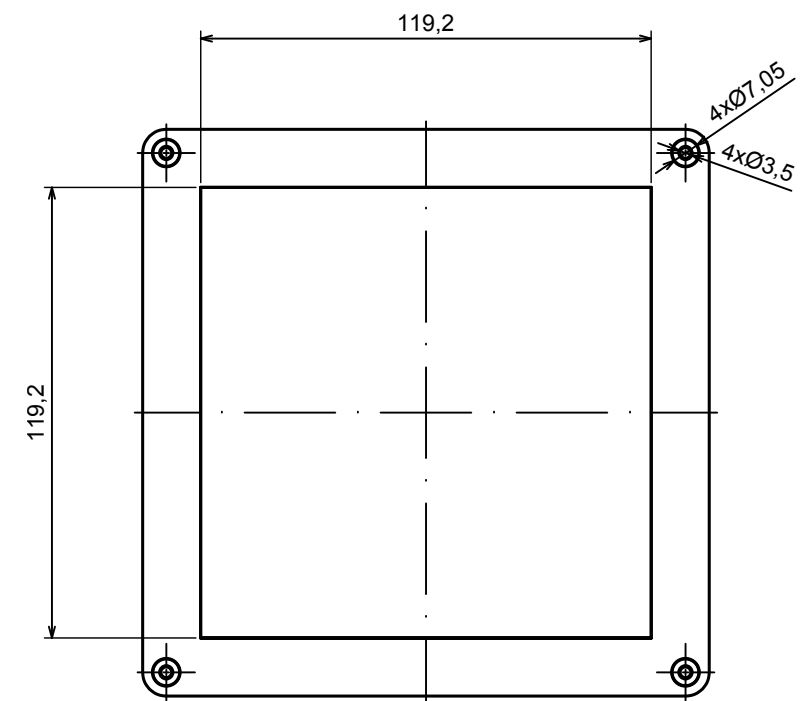
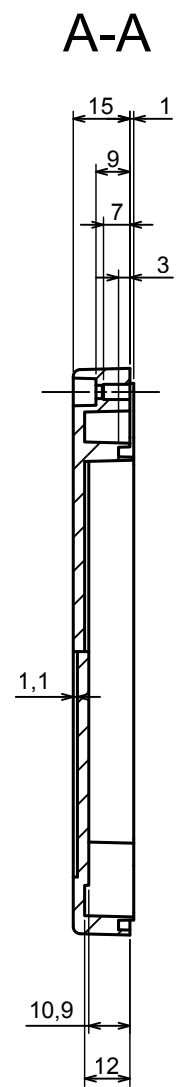
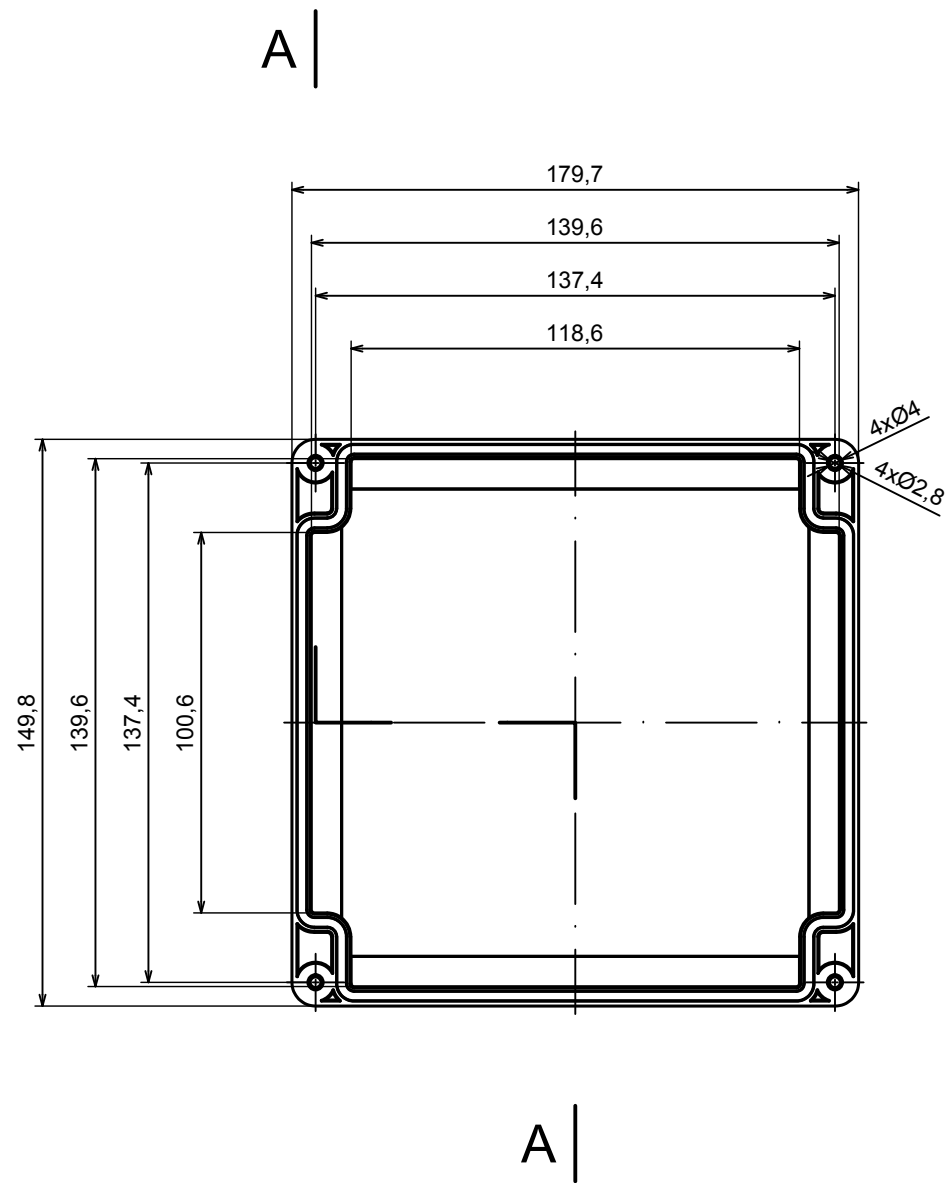
All rights reserved, Copyright Kradex 2018

Product model: Enclosure ZP150.150.60J TM - Base ZP150.150.45J TM

Format: A3 Material: PC, ABS

Scale 1:2 Tolerance: +/- 0.6





All rights reserved, Copyright Kradex 2018

Product model Enclosure ZP150.150.60J TM - Cover ZP150.150.15J

Format: A3 Material: PC, ABS

Scale 1:2 Tolerance: +/- 0.6

